

Description

US Digital offers a wide variety of standard hub / disk assemblies (optical encoder disks attached to an aluminum hub) to aid with mounting on a shaft. Encoder disks may also be ordered as a stand alone item (see the Disks page). These rotary encoder disks are made from mylar polyester film. This material allows for a wide temperature range and is virtually unbreakable.

HUBDISK-1 consists of a precision machined aluminum hub fastened to a 1" diameter optical encoder disk (DISK-1). A set screw is used to attach the hub to a shaft. The codewheel is available with bore sizes ranging from 2 mm to 10 mm. All hub bores are held to a very tight tolerance of -0.0000 to +0.0005 inches.

The disk on the assembly comes attached with the emulsion side up / right reading (see drawings provided).

The index option is not available on the following resolutions: 110, 120, 540 and 1016 CPR.

The following resolutions are only available with the index option: 32, 720, 900 and 1250 CPR.

Mechanical alignment drawings for optical encoder rotary disks and optical encoder modules are available (see the EM1 and HEDS pages).



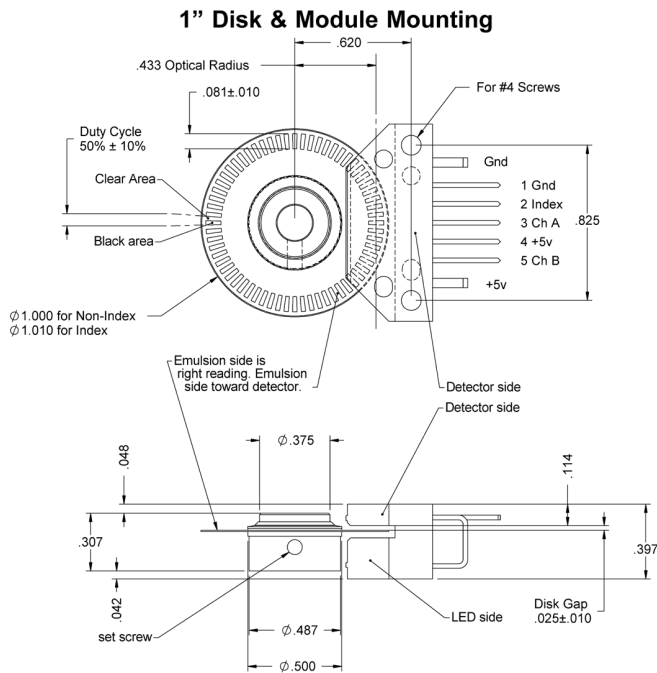
Features

- ▶ 1" disk with hub
- ▶ .433" optical radius
- ▶ 32 to 1250 cycles per revolution (CPR)

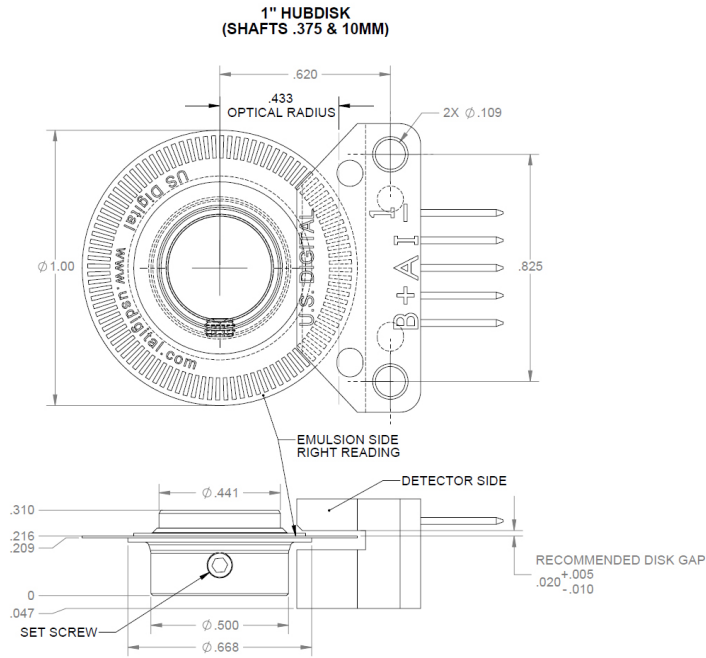
Related Products & Accessories

- DISK-1 1" Transmissive Rotary Disk (Base price \$8.05)
- DISK-2 2" Transmissive Rotary Disk (Base price \$10.40)
- EM1 Transmissive Optical Encoder Module (Base price \$32.35)
- HEDS Transmissive Optical Encoder Module (Base price \$28.85)
- HUBDISK-2 2" Transmissive Rotary Codewheel (Base price \$18.45)

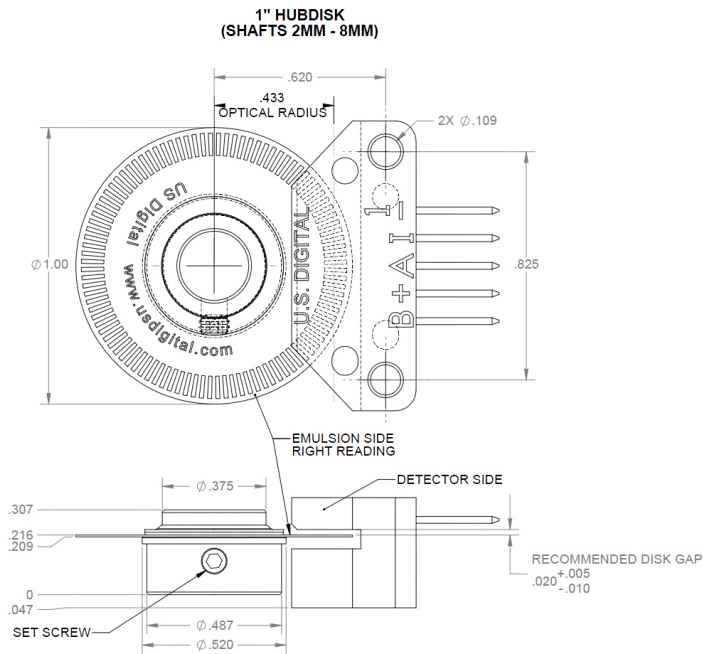
Disk & Module Mounting



hubdisk1_2.jpg



 **Test Eric**



 **Set Screw Sizes**

Hub ID	Set Screw Size
2mm	#4-48
3mm	#3-48
1/8"	#4-48
5/32"	#4-48
4mm	#4-48
3/16"	#4-48
5mm	#4-48
6mm	#4-48
1/4"	#4-48
5/16"	#4-48
8mm	#4-48
3/8"	#4-48
10mm	#4-48

Ordering Information

HUBDISK-1 - - -

CPR	ID	Index
32	079 =2mm	N =No Index, Avago Compatible
50	118 =3mm	
96	125 =1/8"	I =Index (3rd Channel), Avago Compatible
100	156 =5/32"	
110	157 =4mm	NE =No Index, EM1 Compatible
120	188 =3/16"	
192	197 =5mm	IE =Index, EM1 Compatible
200	236 =6mm	
250	250 =1/4"	
256	313 =5/16"	
360	315 =8mm	
400	375 =3/8"	
500	394 =	
512	10mm	
540		
720		
900		
1000		
1016		
1024		
1250		

Notes

▸ US Digital warrants its products against defects in materials and workmanship for two years. See complete warranty for details.

Base Pricing

Quantity	Price
1	\$12.10
10	\$9.24
50	\$8.09
100	\$6.93

▸ Add 11% per unit for **Index** of Index (3rd Channel), Avago Compatible or Index, EM1 Compatible