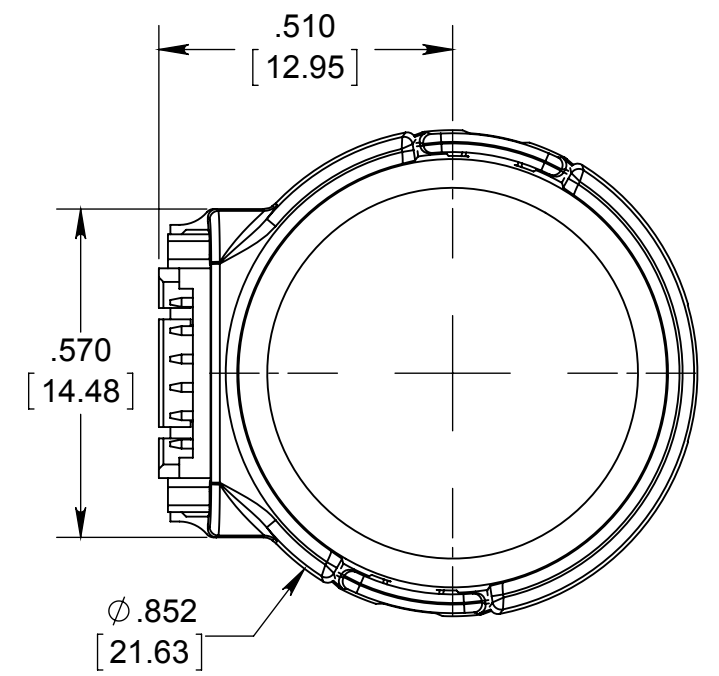
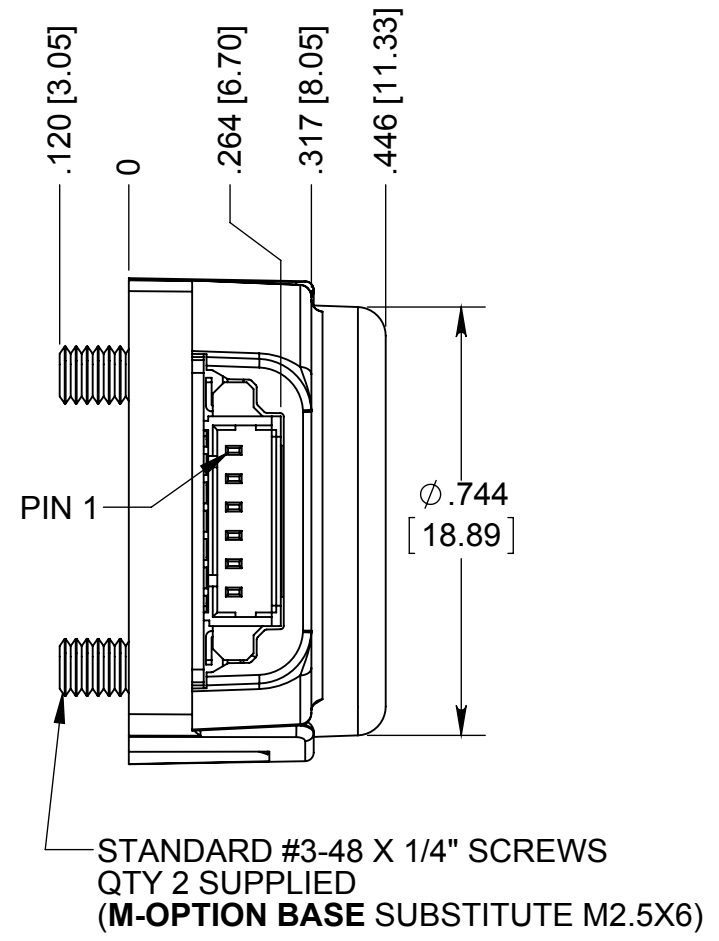
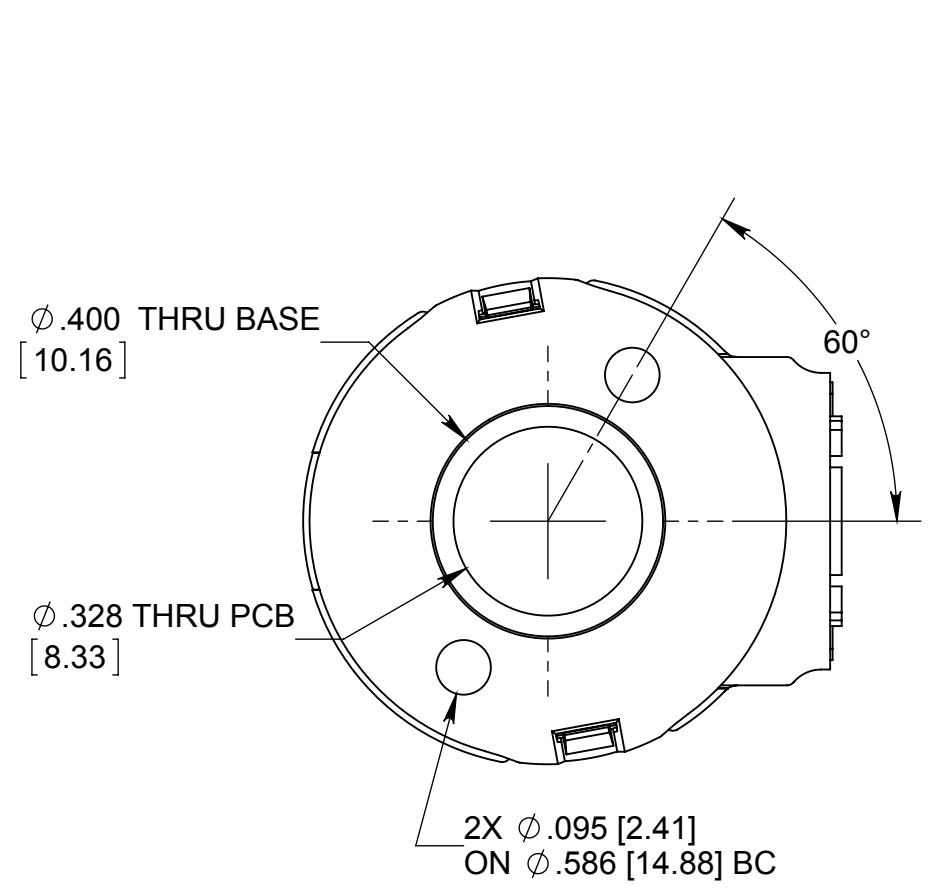
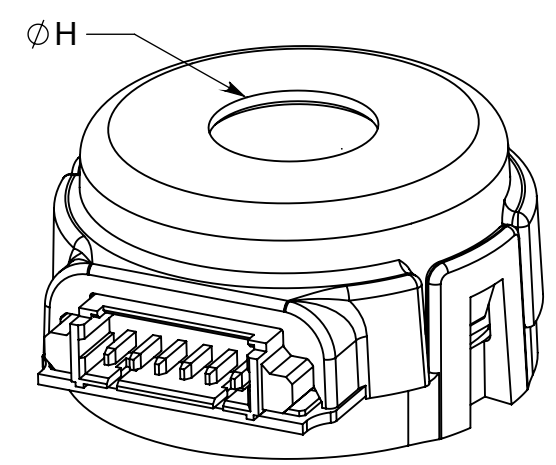


E4P Differential OEM Miniature Optical Kit Encoder

RELEASE DATE: 9/21/2011



H-OPTION COVER (COVER HOLE FOR EXTEND SHAFT LENGTHS)



H=.170" [4.32] FOR BORE SIZES 1.5MM TO 1/8"
 H=.295" [7.49] FOR BORE SIZES 5/32" TO 1/4"

T-OPTION BASE (ADHESIVE MOUNTING)

