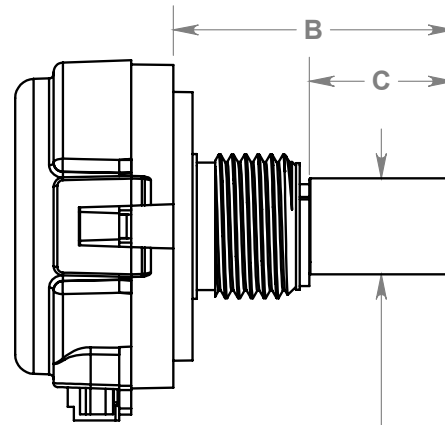
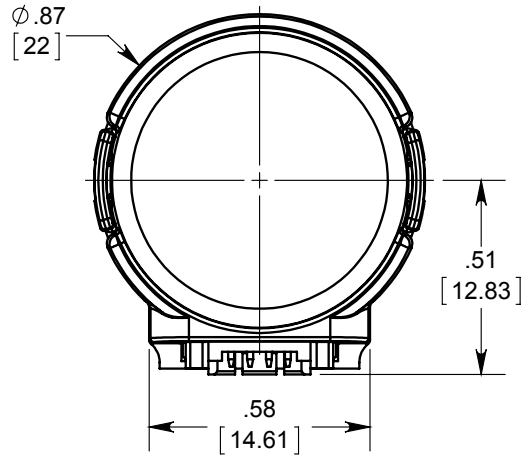
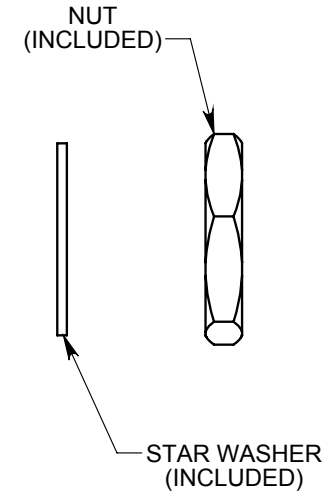


S4T Miniature Optical Shaft Encoder

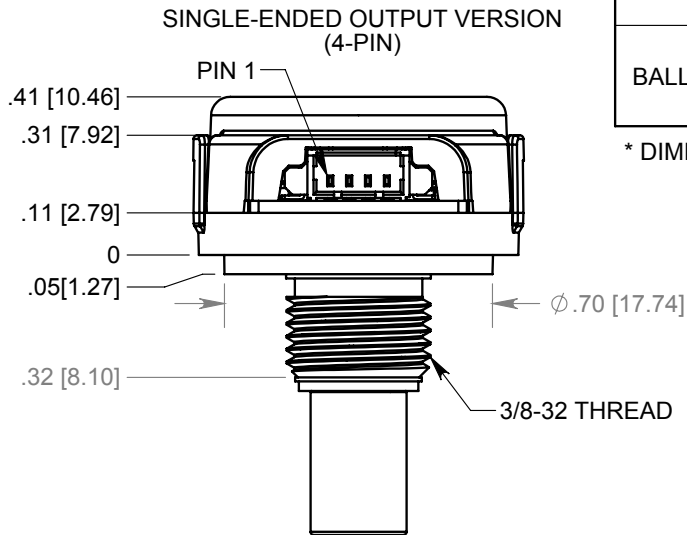


ϕA H7/g6
(SEE TB1001)



TORQUE	SHAFT ϕ	A	B	C
DEFAULT / NO TORQUE ADDED	1/8" (.125)	.1250 [3.175]	.730 [18.54]	.350 [8.89]
	6mm (.236)	.2362 [6]	.730 [18.54]	.350 [8.89]
	1/4" (.250)	.2500 [6.350]	.730 [18.54]	.375 [9.53]
BALL BEARING	1/8" (.125)	.1250 [3.175]	.740 [18.80]	.375 [9.53]
	6mm (.236)	.2362 [6]	.725 [18.42]	.375 [9.53]
	1/4" (.250)	.2500 [6.350]	.725 [18.42]	.375 [9.53]

* DIMENSION C IS LENGTH OF SHAFT ϕA



DIFFERENTIAL OUTPUT VERSION (6-PIN)

