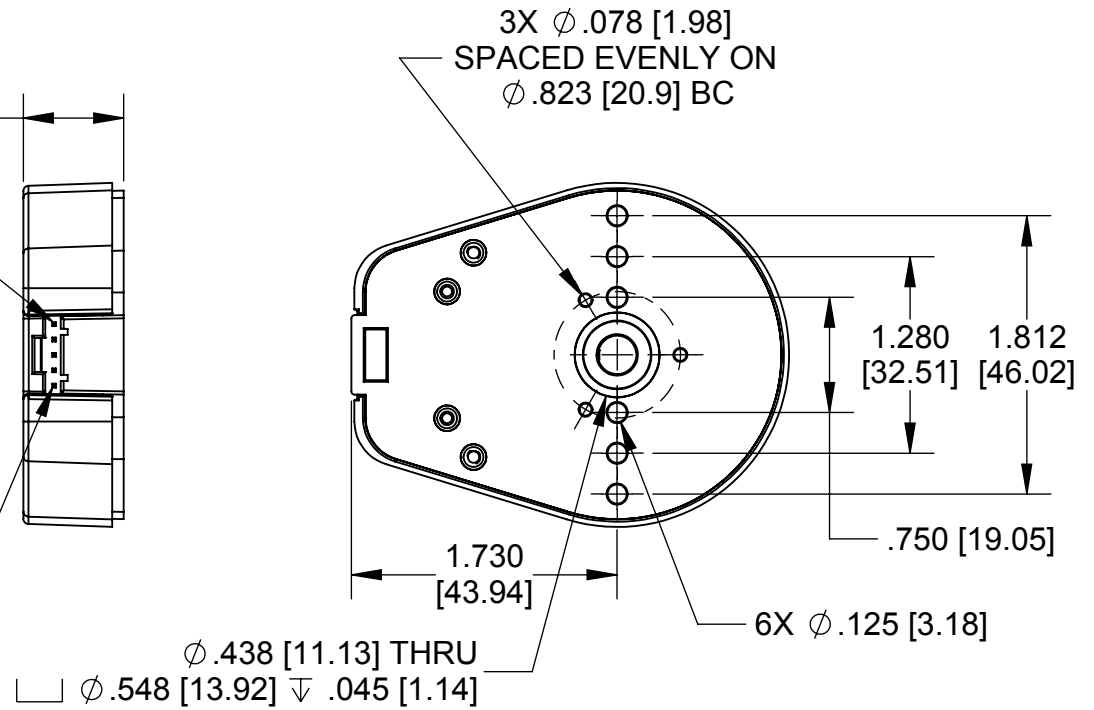
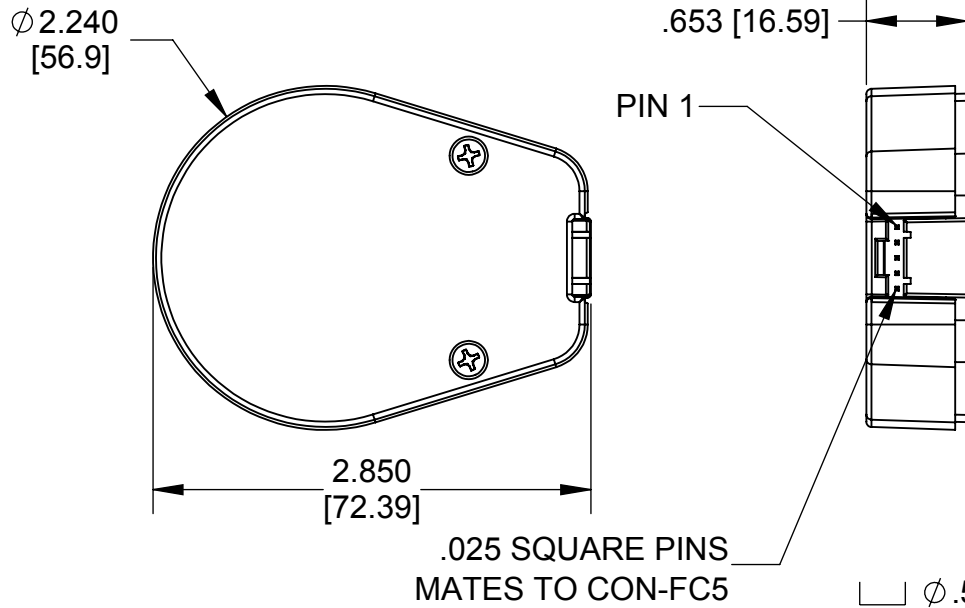
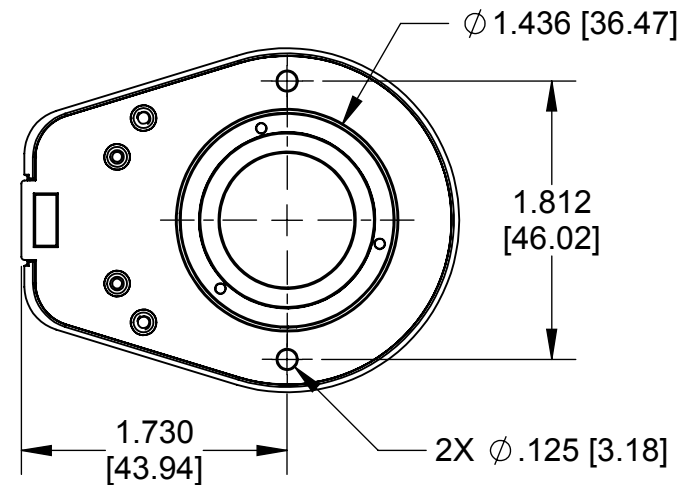
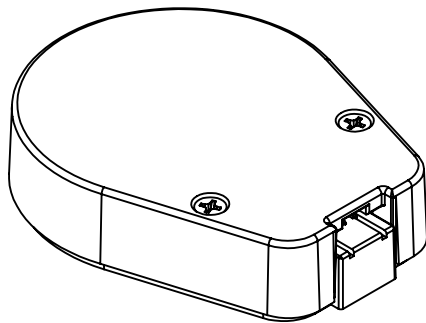


E6 Single-Ended Optical Kit Encoder (Default)



BASE OPTION FOR SHAFTS $\leq \phi .394$ [10]



BASE OPTION FOR SHAFTS $> \phi .394$ [10]