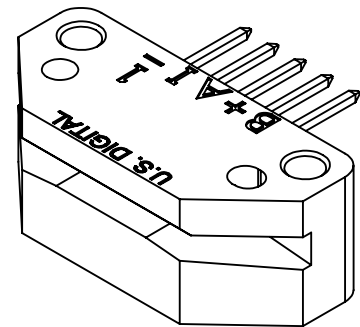


# EM1 Transmissive Optical Encoder Module



RELEASE DATE: 10/24/2011

